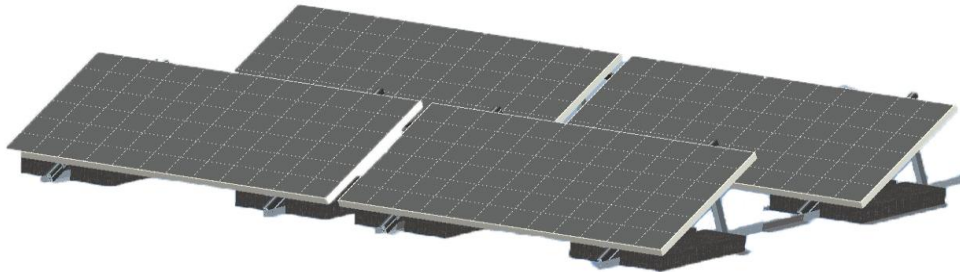


# Tri-Flat Installation Manual



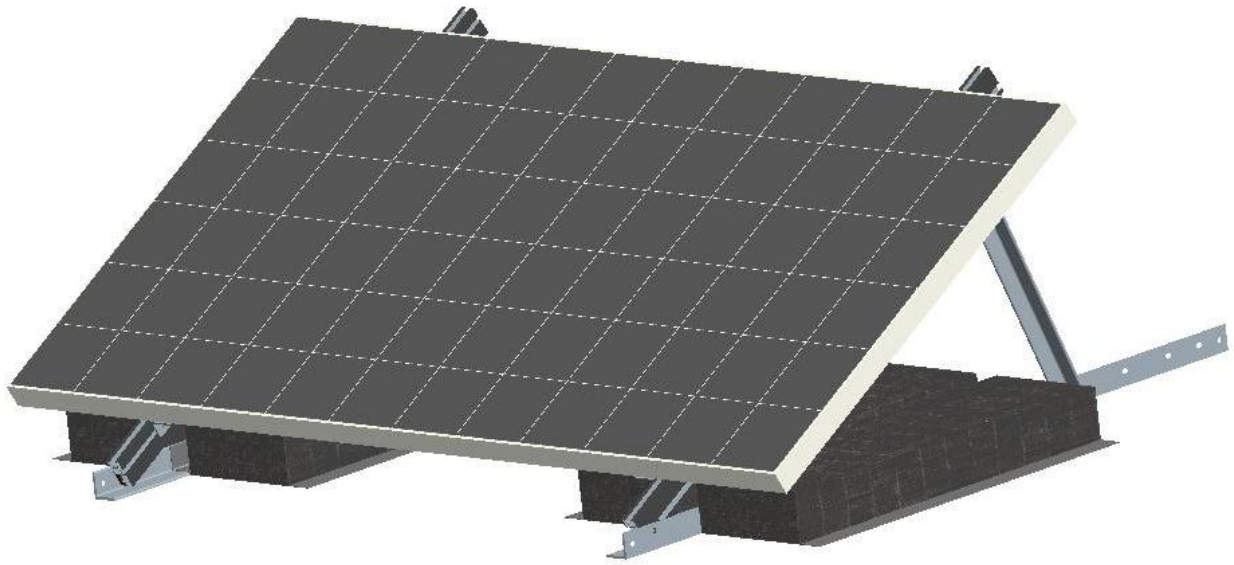
Tri-Flat is a triangular supporting frame mounting system, which suits any photovoltaic modules with the frame, and is a universal solution for flat roofs. The Tri-Flat mounting system consists of a triangular support system, and concrete bricks which are needed for wind safety protection.

Fixing rails directly onto the tilt legs and the bottom beam decreases materials and saves installation time. Four tilt angles of  $15^{\circ}$  ,  $20^{\circ}$  ,  $25^{\circ}$  and  $30^{\circ}$  , and any size of triangular support is available to optimize your PV system and to meet your needs.

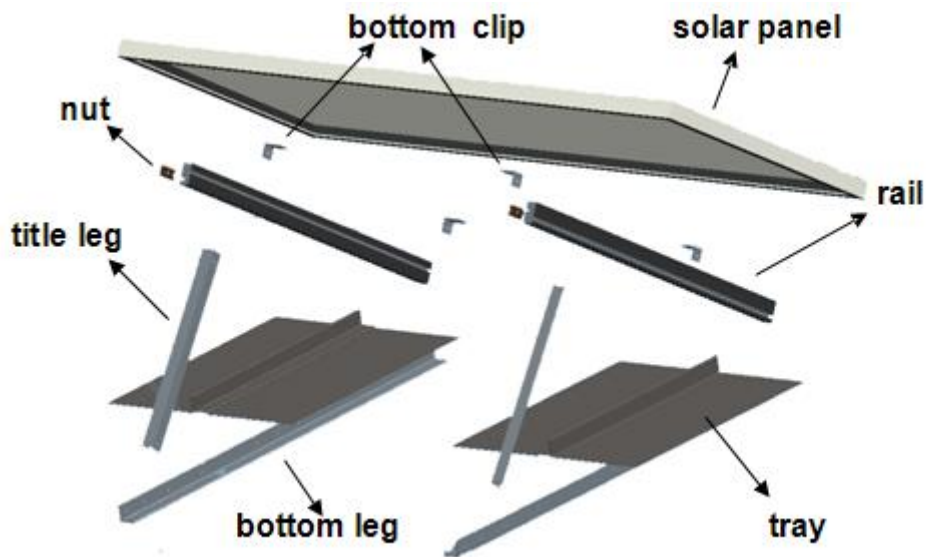
## Benefits

- \* All of the triangular support frames can be folded and pre-assembled.
- \* There are four angles to choose from —  $15^{\circ}$ ,  $20^{\circ}$ ,  $25^{\circ}$  and  $30^{\circ}$  — to optimize the system.
- \* Each component is made from high quality materials and according to strict quality controls to guarantee the safety and longevity of the mounting system.

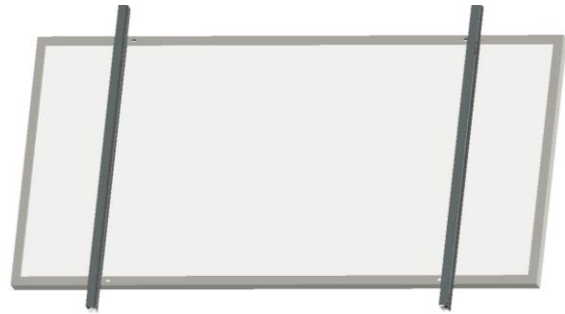
## Single triangle mounting unit



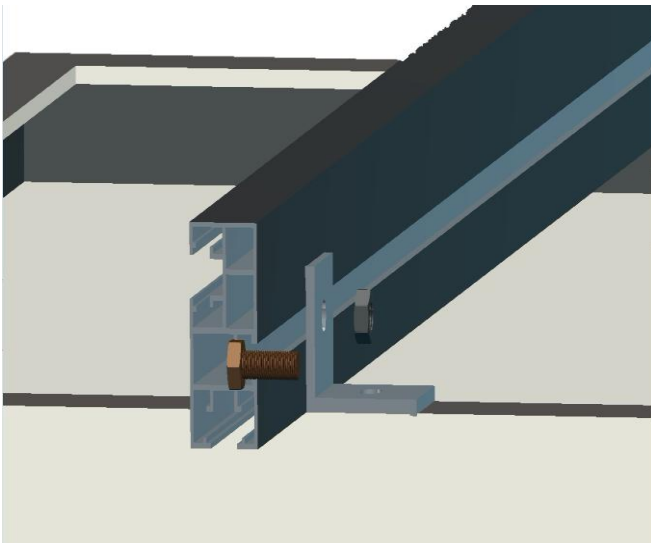
## Components



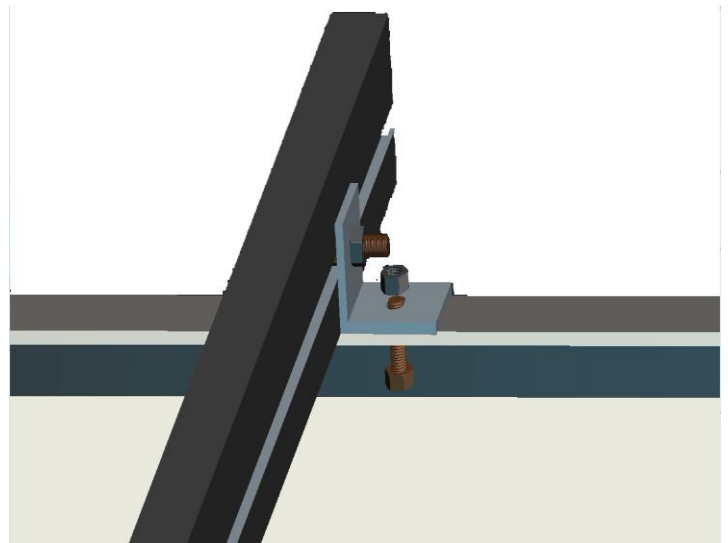
## Installing procedures



1, Put two rails on the backside of the solar panel.



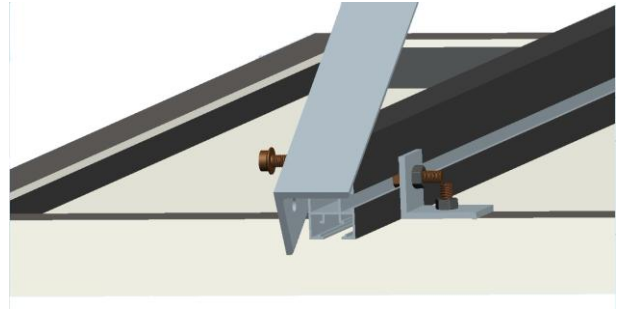
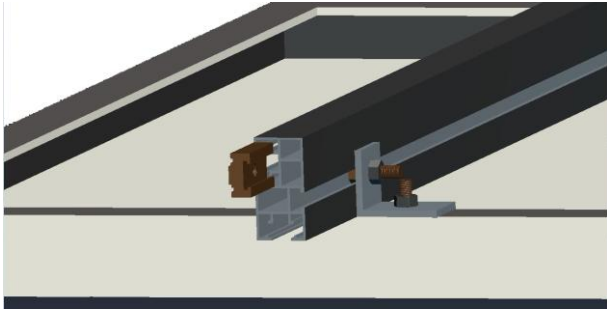
2, Insert the bolt into the channel of the rail about 5cm from the edge and fasten the short side of the bottom clip onto the rail.



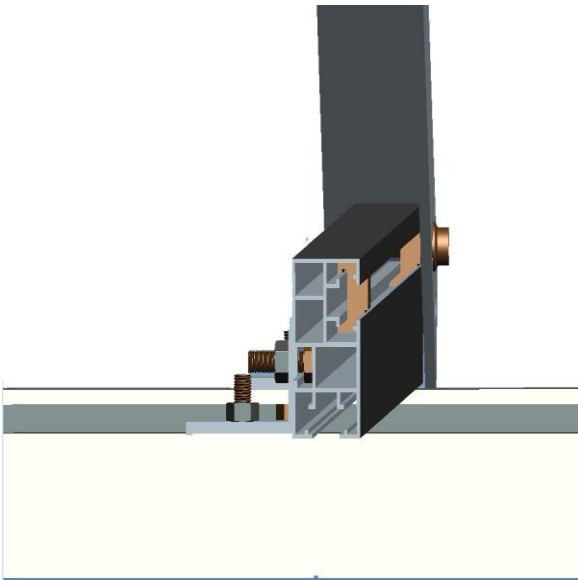
3, Insert a bolt into the mounting hole, and then fasten the other side of the bottom clip onto the solar panel to secure the attachment of the rail to the back side of the solar panel.



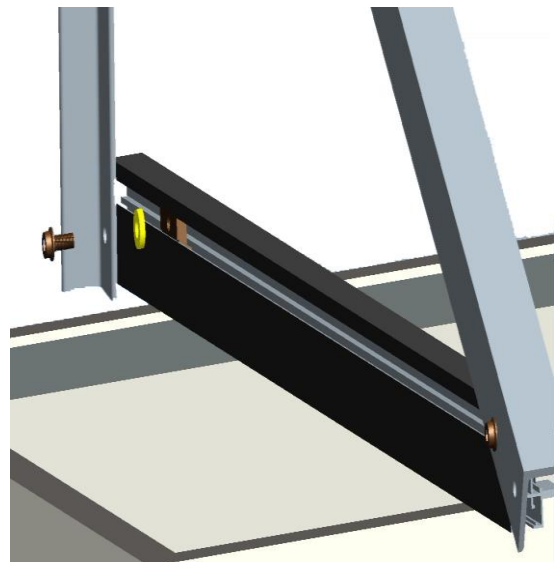
4, Fasten another bottom clip on the other side of the rail. Repeat the above steps to attach the other rail to the solar panel.



5, Insert the nut into the groove of the rail, and fasten the bolt to attach the bottom beam to the rail. (Notice: there are eleven holes in the bottom beam, choose hole 10 to insert the bolt. Please check the last page.)



6, Insert another nut into the groove of the rail on the other side.



7, Insert a bolt into the tilt leg and through a gasket on the other side before screwing in the nut.